

# SANY®

## ADVANCED HYDRAULIC SYSTEM

- ◆ The closed loop hydraulic system has three filters for greater reliability.

## OPERATOR COMFORT AND SAFETY FEATURES

- ◆ ROPS certified cab, greatly guaranteeing operator safety
- ◆ Three stage vibration-damping system, climate control with lowest noise level (less than 80dB)
- ◆ Cab climate control
- ◆ Specially- designed parking brake ,emergency stop, securing operation safety

# STR100C-8S TANDEM DRUM ROLLER

## STR100C-8S 双钢轮压路机

## DRUM VIBRATION TECHNOLOGY

- ◆ The use of water wheel type lubrication on the vibratory bearing extends the bearing life up to 5,000 hours.
- ◆ Drum evenness and smoothness meets stringent highway surface work requirements.
- ◆ Road surface clearance height at the edge can be up to 825mm.

## RELIABLE AND EFFICIENT POWER

- ◆ Robust power output , adapting various applications including inclines
- ◆ Three stage fuel filter system
- ◆ Engine hood could be opened from left and right side of base machine, easy access to maintenance points from ground level

## EFFICIENT CONTROL SYSTEM

- ◆ The operating controls can swing up to 90° right or left to allow the operator a clear view when working at the road edges.
- ◆ The speed and direction control joystick are integrated for greater control.

## RELIABLE OIL-SPRAYING SYSTEM

- ◆ 800L plastic lined water tanks provide water for up to 5.7 continuous hours of work
- ◆ Optimized spray amount prevents asphalt from sticking to drums and limits asphalt cooling.
- ◆ A back-up spray pump for greater reliability

## 领先的振动轮技术

- ◆ 独创扇袋式润滑装置充分润滑轴承，轴承使用寿命达 5000h 以上
- ◆ 高平整度、高密实度，满足高速路面施工严格要求
- ◆ 贴边压实边缘间隙高度达到 825mm

## 灵动智能的操控系统

- ◆ 左右各 90° 旋转的操纵台，便于贴边压实
- ◆ 振动、行驶手柄一体化的操纵边箱，方便灵活

## 安全舒适的人性化设计

- ◆ ROPS 认证驾驶室，可有效保证驾驶员的生命安全
- ◆ 整机三级减震和空调确保舒适的工作环境，司机耳边噪声在 80dB 以内
- ◆ 驾驶室减震效果达到良好级
- ◆ 专门设计的驻车制动、紧急制动保证施工安全

## 强劲的动力系统

- ◆ 动力强劲，适用坡道施工等各种工况
- ◆ 油路三级过滤
- ◆ 两侧开启发动机罩，各维修点触手可及

## 先进液压系统

- ◆ 闭式液压系统，效率高，可靠性高

## 可靠的洒水系统

- ◆ 800L 容积的两个滚塑水箱，一次加水可正常施工 5.7h 以上
- ◆ 有效避免钢轮粘沥青
- ◆ 备用的洒水泵设计，确保施工顺畅

# TECHNICAL PARAMETER 技术参数

## STR100C-8S 双钢轮压路机技术参数

Technical Parameter of STR100C-8S Tandem Drum Roller

| 型号 Model                   |   | STR100C-8S     |
|----------------------------|---|----------------|
| 质量载荷参数<br>Weight and Load  | 工作质量<br>Operating Weight(kg)                        | 10500          |
|                            | 前轮分配质量<br>Weight at Drum(kg)                        | 5250           |
|                            | 后轮分配质量<br>Weight at Rear axle                       | 5250           |
|                            | 前轮静线载荷<br>Front Drum Static Liner Load(N/cm)        | 271            |
|                            | 后轮静线载荷<br>Rear Drum Static Liner Load(N/cm)         | 271            |
|                            | 振动频率<br>Vibration Frequency(Hz)                     | 50/61 ; 40/50  |
| 压实机构参数<br>Compaction       | 名义振幅<br>Nominal Amplitude(mm)                       | 0.75/0.3       |
|                            | 激振力<br>Excitation Force(kN)                         | 140/94 ; 92/63 |
|                            | 振动轮直径<br>Drum Diameter(mm)                          | 1240           |
|                            | 振动轮宽度<br>Drum Width(mm)                             | 1900           |
|                            | 钢轮厚度<br>Drum Edge Thickness(mm)                     | 17             |
|                            | 行驶速度<br>Travel Speed(km/h)                          | 0~12           |
| 机动性能参数<br>Maneuver Ability | 工作速度<br>Working Speed(km/h)                         | 0~6.5          |
|                            | 理论爬坡能力振动<br>Theoretical Gradeability Vibratory      | 30%            |
|                            | 理论爬坡能力不振动<br>Theoretical Gradeability Non-Vibratory | 35%            |
|                            | 最小离地间隙<br>Ground Clearance(mm)                      | 360            |
|                            | 轴距<br>Wheelbase(mm)                                 | 3689           |
|                            | 转向角度<br>Steering Angle(°)                           | ±33            |
|                            | 摇摆角度<br>Swing Angle(°)                              | ±8             |
|                            | 最小转弯外直径<br>Min. Turning Outside Diameter(mm)        | 13530          |
|                            | 蟹行距离<br>Crab Distance(mm)                           | 170            |
|                            | 供应商<br>Brand  | WEICHAI        |
| 发动机<br>Engine              | 型号<br>Model   | WP4G154E331    |
|                            | 冷却系统<br>Cooling System                              | Water Cooling  |
|                            | 排放标准<br>Emission                                    | CHINA III      |
|                            | 额定转速<br>Rate Speed(rpm)                             | 2200           |
|                            | 功率<br>Rated Net Power(kW)                           | 113            |
| 容量参数<br>Capacity           | 蓄电池<br>Battery(V×Ah)                                | 24×120         |
|                            | 水箱<br>Water Tank(L)                                 | 800            |
|                            | 燃油箱<br>Fuel Tank(L)                                 | 230            |
|                            | 液压油箱<br>Hydraulic Oil Tank(L)                       | 100            |

SANY HEAVY INDUSTRY CO., LTD.

SANY Industry Town, Changsha Economic and Technological Development Zone,  
Hunan Province, China  
Service Line: +86 4006 098 318 E-mail: crd@sany.com.cn

**SANY**<sup>®</sup>  
QUALITY CHANGES THE WORLD.

## 双钢轮压路机 STR100C-8S 标配选配表

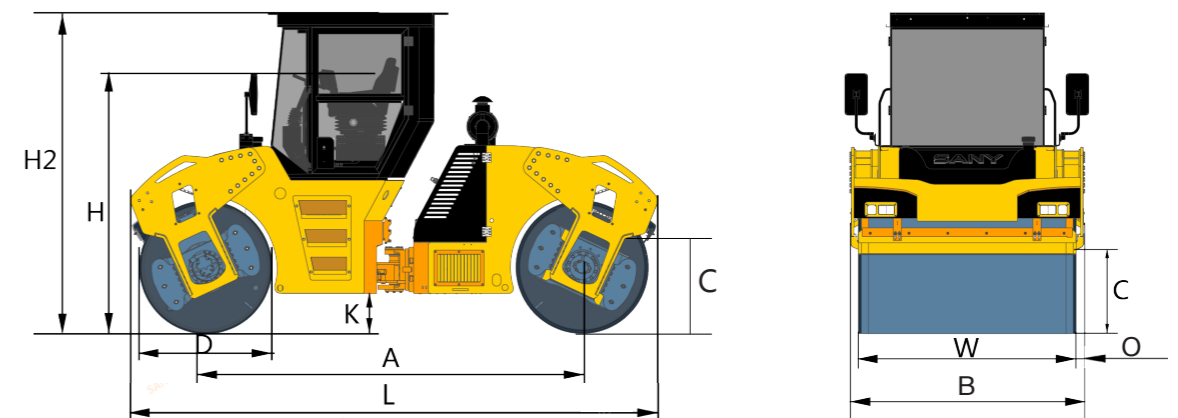
Tandem Drum Roller STR100C-8S Standard and Optional Configurations

| 配置类型<br>Config                 | 配置名称<br>Systems                   | 物料名称<br>Description  | 数量 / 台<br>Quantity | 详细说明<br>Details  | 备注<br>Remarks  |
|--------------------------------|-----------------------------------|--|--------------------|--|--|
| 标准配置<br>Standard Configuration | 主机<br>Main Machine                | STR100C-8S<br>双钢轮压路机标配<br><br>STR100C-8S<br>Tandem Drum Roller, Standard | 1                  | 1.Engine 发动机<br>2.Travel Pump 行驶泵<br>3.Vibration Pump 振动泵<br>4.Travel Motor 行驶马达<br>5.Vibration Motor 振动马达<br>6.Reduction Gears 减速机<br>7.Operating Platform 操作平台<br>8.Electrical System 电气系统 | 9.Vibratory Drum (Smooth)<br>振动轮<br>10.Front Frame 前车架<br>11.Rear Frame 后车架<br>12.Water-Spraying System<br>洒水系统<br>13.Covering Parts 覆盖件<br>14.Seat 座椅 |
|                                | 驾驶室<br>Cab                        | 驾驶室总成<br>Cab Assembly  | 1                  | 多风沙地区施工<br>Best for windy and sandy conditions   |  |
| 可选配置<br>Optional Configuration | 驾驶室 + 空调<br>Cab + Air Conditioner | 驾驶室总成<br>Cab Assembly  | 1                  | 多风沙地区施工和高温高寒地区施工<br>Best for windy and sandy and extreme temperature conditions  |  |
|                                |                                   | 空调<br>Air Conditioner  | 1                  |  |  |

## 双钢轮压路机 STR100C-8S 尺寸参数

Dimensions of STR100C-8S Tandem Drum Roller

| 主要尺寸 Size Code | STR100C-8S |
|----------------|------------|
| A (mm)         | 3689       |
| B (mm)         | 2100       |
| C (mm)         | 825        |
| D (mm)         | 1240       |
| H (mm)         | 2507       |
| H2 (mm)        | 3215       |
| K (mm)         | 360        |
| L (mm)         | 5165       |
| O (mm)         | 100        |
| W (mm)         | 1900       |



Service Line: +86 4006 098 318 E-mail: crd@sany.com.cn